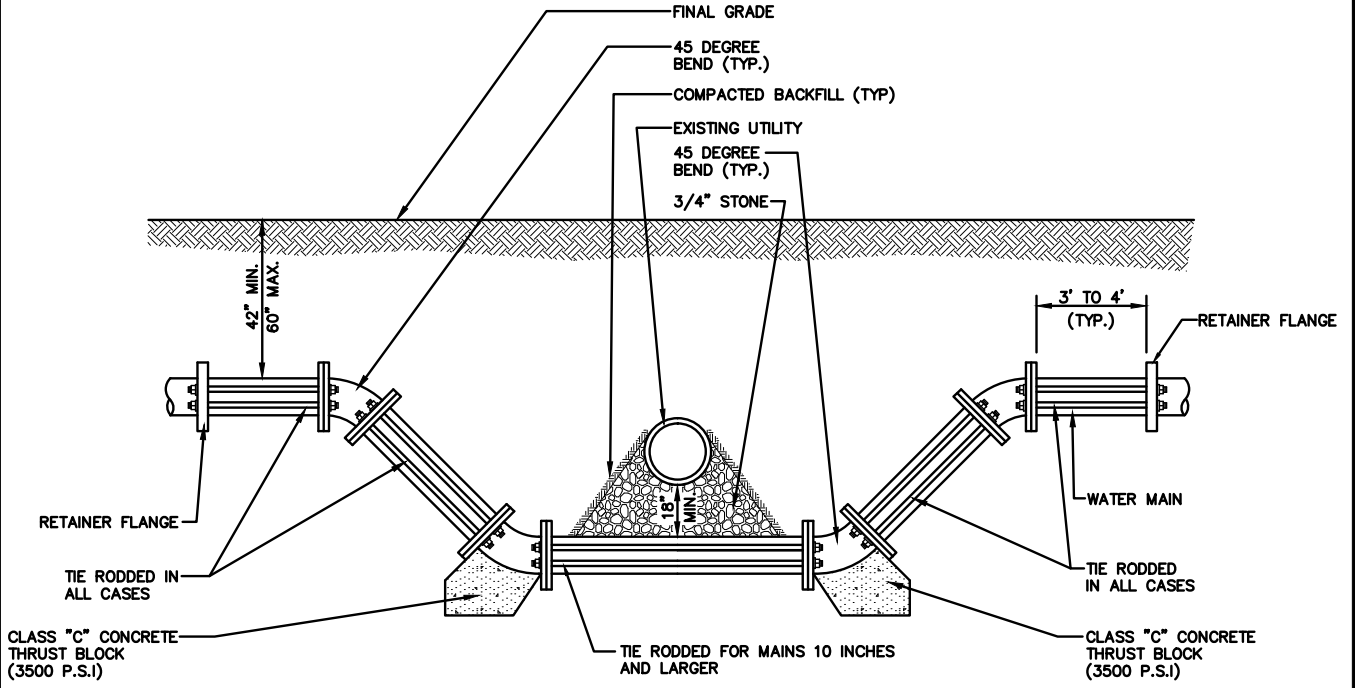


MANTUA TOWNSHIP MUNICIPAL UTILITIES AUTHORITY



WATER MAIN OFF-SET DETAIL
N.T.S.