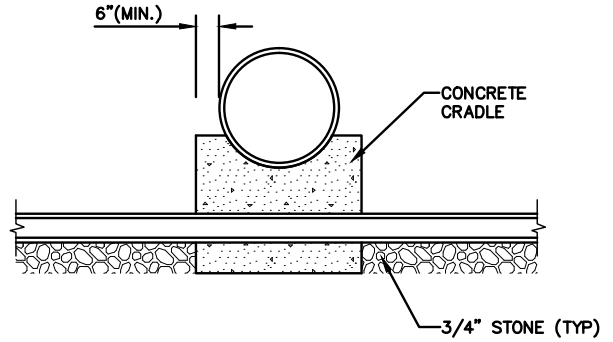
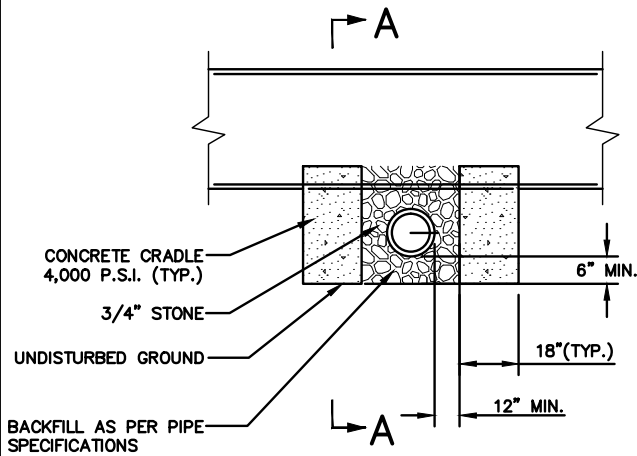


# MANTUA TOWNSHIP MUNICIPAL UTILITIES AUTHORITY



SECTION "A-A"

## CONCRETE CRADLE DETAIL

N.T.S.

**NOTES:**

1. CONCRETE CRADLE TO BE PROVIDED WHEN AND WHERE DIRECTED ON PLANS OR BY MANTUA TOWNSHIP M.U.A. FIELD REPRESENTATIVE
2. CRADLES OR ENCASEMENTS ARE REQUIRED WHEN LESS THAN 18" VERTICAL SEPARATION BETWEEN OUTSIDE WALLS OF CROSSING PIPES. PLACE AS DIRECTED BY THE M.M.U.A. FIELD REPRESENTATIVE.