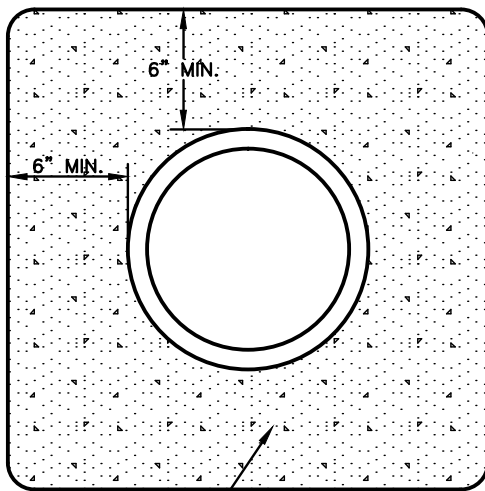


MANTUA TOWNSHIP MUNICIPAL UTILITIES AUTHORITY

NOTE:
CONCRETE ENCASEMENT TO BE PROVIDED WHEN AND
WHERE DIRECTED ON PLANS OR BY MANTUA TWP. M.U.A.
FIELD REPRESENTATIVE



CLASS "C" CONCRETE

CONCRETE ENCASEMENT DETAIL

N.T.S.