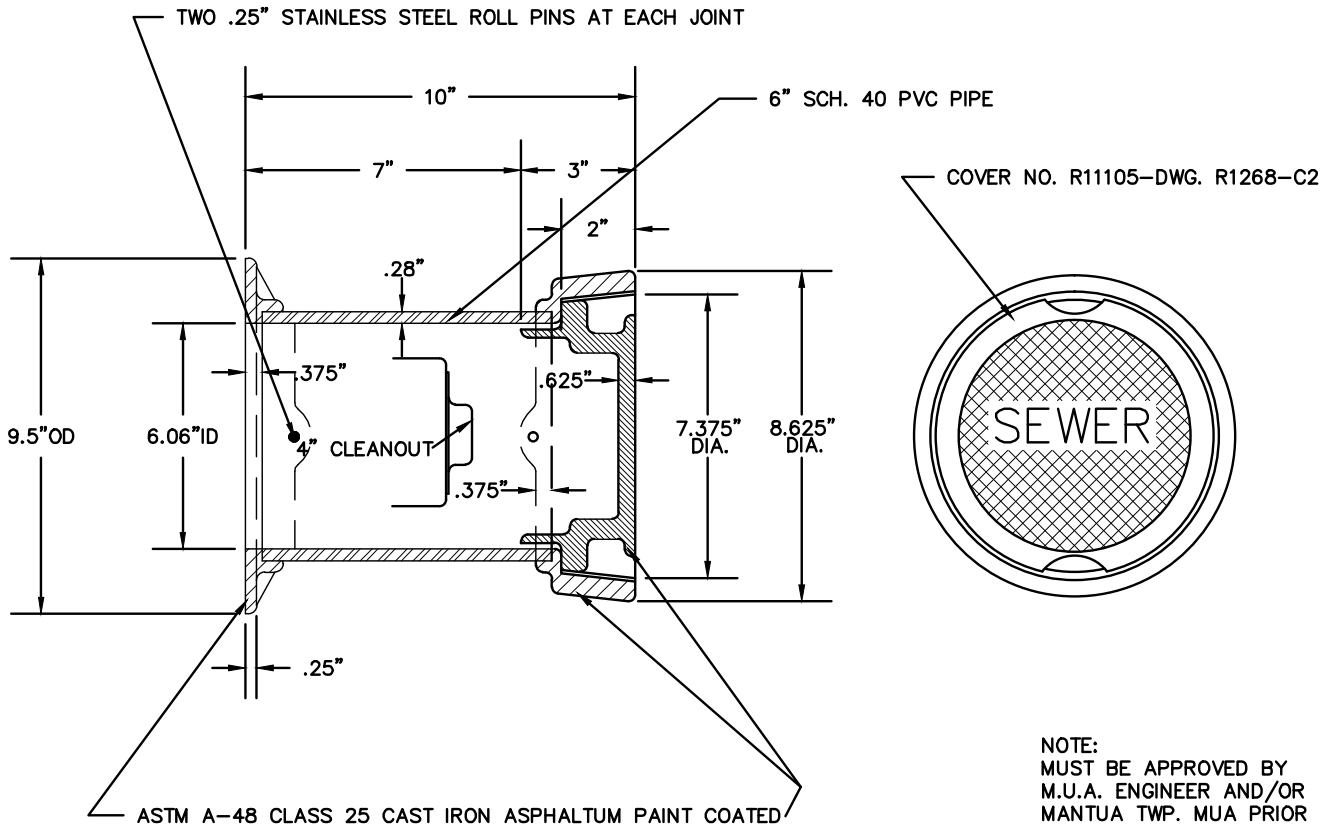


MANTUA TOWNSHIP MUNICIPAL UTILITIES AUTHORITY



NOTE:
MUST BE APPROVED BY
M.U.A. ENGINEER AND/OR
MANTUA TWP. MUA PRIOR
TO INSTALLATION IN FIELD.

BODY PART NO. 461-TS

GENCO PART NO. "CC4"
(AND/OR APPROVED EQUAL)
DWG. R-3218-DR ILLUSTRATES RISER FOR THIS COVER

SANITARY SEWER CLEANOUT COVER DETAIL

N.T.S.