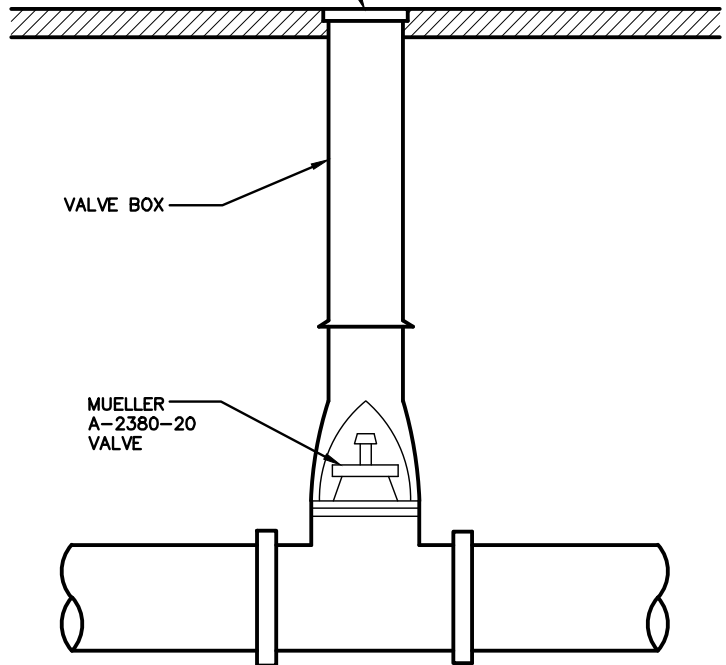


# MANTUA TOWNSHIP MUNICIPAL UTILITIES AUTHORITY

VALVE BOX LID TO BE FLUSH WITH BASE GRADE  
UNTIL IT IS RAISED FLUSH WITH FINAL PAVING



## NOTES

1. VALVE TO OPEN LEFT AND HAVE A NON-RISING STEM, MECHANICAL JOINT ENDS, 200-lb WORKING PRESSURE, 400-lb TEST PRESSURE, DUCK TIPPED RUBBER GASKET AND SCREW SETS IN GLAND FOR BONDING (MUELLER 866).
2. VALVE BOX TO BE BUFFALO TYPE, 3 PIECE CAST IRON, SLIDE OR SCREW TYPE. TABS WITHIN SLIDE MODEL SHALL NOT BE REMOVED.
3. RISERS MAYBE PERMITTED FOR ADJUSTMENT OF FINAL GRADE OF VALVE BOXES PER MUA ENGINEERS APPROVAL.
4. VALVE BOX MUST BE PLUMB AND CLEANED OF ALL DEBRIS. THE SHUT-OFF NUT MUST BE CENTERED WITHIN THE BOX AND HAVE 1" CLEARANCE BETWEEN THE INSIDE OF THE BOX AND THE VALVE WRENCH.
5. VALVE BOX LID TO HAVE THE WORD "WATER" CAST IN, WITH AN ARROW SHOWING THE OPENING DIRECTION, AND THE WORD " OPEN " CLEARLY CAST THEREON.

## GATE VALVE & VALVE BOX DETAIL

N.T.S.