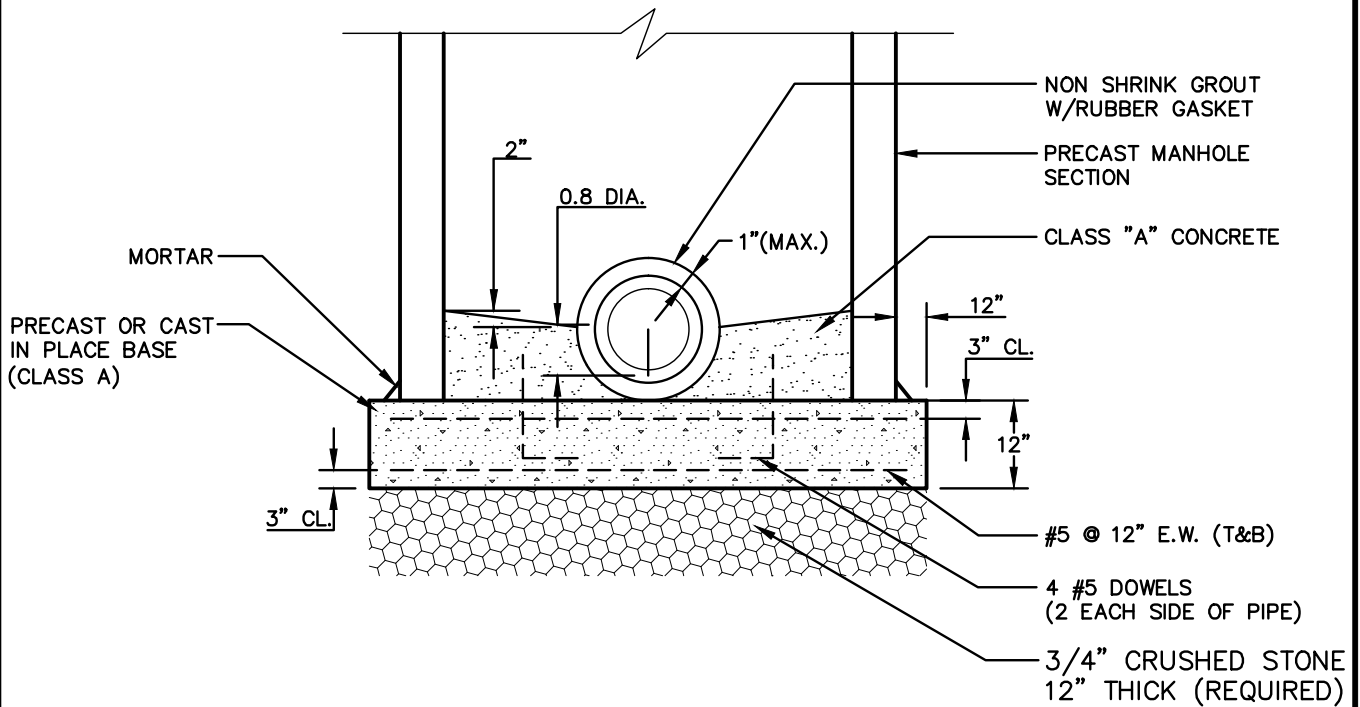


MANTUA TOWNSHIP MUNICIPAL UTILITIES AUTHORITY



DOGHOUSE MANHOLE DETAIL
N.T.S.