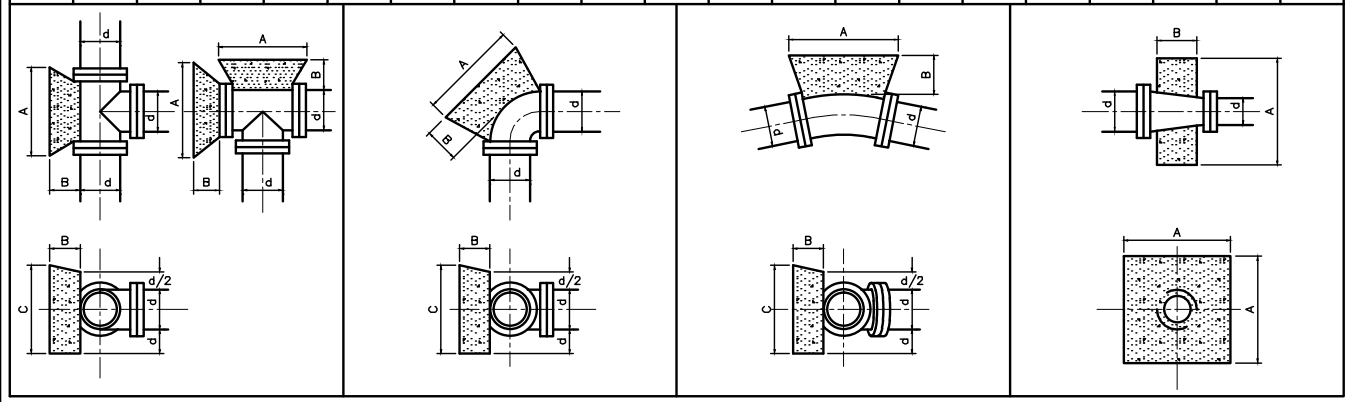


MANTUA TOWNSHIP MUNICIPAL UTILITIES AUTHORITY

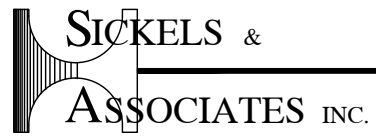
MINIMUM SIZE OF CONCRETE THRUST BLOCKS

d	TEES & CROSSES	A	B	C	90° BENDS	A	B	C	45° BENDS	A	B	C	22.5° & 11.25° BENDS	A	B	C	REDUCERS	dx	A	B
		2'-0"	8"	1'-3"		2'-6"	8"	1'-3"		1'-6"	8"	1'-3"		1'-6"	8"	1'-9"		1'-6"	8"	1'-9"
6"	TEES & CROSSES	2'-0"	8"	1'-3"	90° BENDS	2'-6"	8"	1'-3"	45° BENDS	1'-6"	8"	1'-3"	22.5° & 11.25° BENDS	1'-6"	8"	1'-3"	REDUCERS	6"x4"	1'-6"	1'-0"
8"		2'-6"	8"	1'-6"		3'-0"	8"	1'-6"		1'-6"	8"	1'-9"		1'-6"	8"	1'-9"		8"x4"	2'-0"	1'-0"
10"		3'-0"	10"	2'-0"		3'-6"	10"	2'-0"		2'-3"	10"	2'-0"		1'-6"	10"	2'-0"		10"x6"	2'-4"	1'-3"
12"		3'-6"	10"	2'-6"		3'-9"	10"	2'-9"		2'-3"	10"	2'-6"		1'-6"	10"	2'-6"		10"x8"	2'-6"	1'-6"



THRUST BLOCK DETAILS

N.T.S.



SHERWOOD MEWS
833 KINGS HIGHWAY
WOODBURY, NEW JERSEY 08096-3110
856-848-6800
FAX 848-8520

MTMUA-14
02/04
11/07