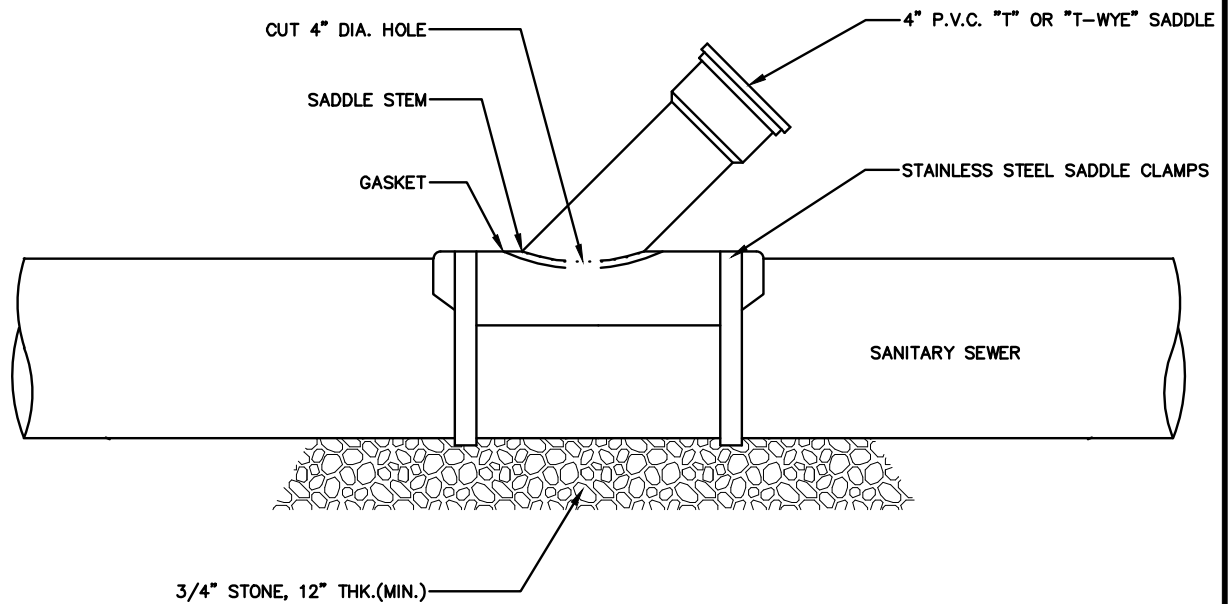


MANTUA TOWNSHIP MUNICIPAL UTILITIES AUTHORITY

GASKET:

1. CUT OPENING IN EXISTING SANITARY SEWER
1/4" LARGER THAN THE O.D. OF SADDLE STEM.
DOWNSTREAM SIDE TO BE CUT 45° TO ALLOW
SADDLE STEM TO FIT.
2. MAKE SURE BOTH SURFACES ARE CLEAN.
3. POSITION SADDLE WITH GASKET OVER OPENING.
4. TIGHTEN DOWN ON STAINLESS STEEL
SADDLE CLAMPS.



P.V.C. SADDLE CONNECTION DETAIL
N.T.S.