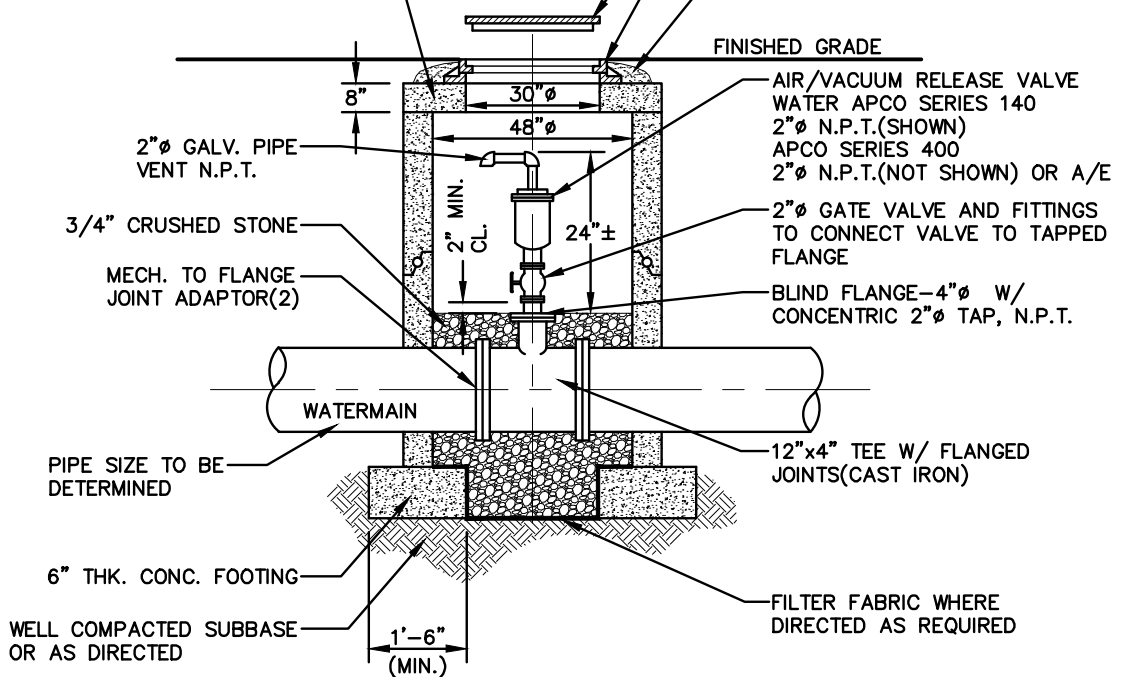


MANTUA TOWNSHIP MUNICIPAL UTILITIES AUTHORITY

PRECAST CONCRETE CHAMBER CONFORMING TO A.S.T.M. SPECIFICATION C-913 "PRECAST CONCRETE WATER AND WASTEWATER STRUCTURE." EXTERIOR TO BE COATED WITH (2) COATS OF APPROVED BLACK BITUMASTIC WATER PROOFING COMPOUND.

MANHOLE FRAME AND COVER CAMPBELL FOUNDRY PAT. NO. 1206 OR APPROVED EQUAL
GROUT SETTING BEAD, USE BRICK OR PRECAST RINGS TO SET GRADE



VACUUM AND AIR RELEASE MANHOLE DETAIL
N.T.S.