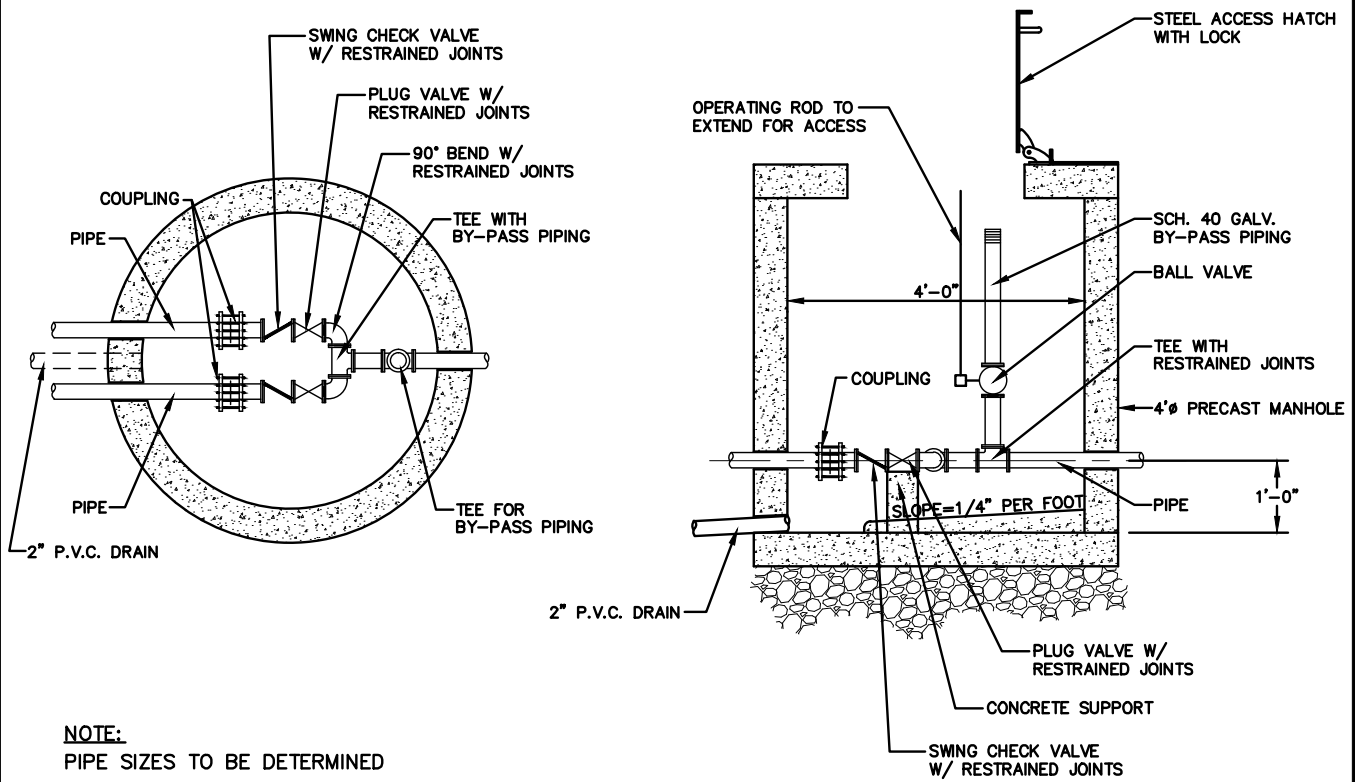


# MANTUA TOWNSHIP MUNICIPAL UTILITIES AUTHORITY



**NOTE:**  
PIPE SIZES TO BE DETERMINED

**VALVE PIT DETAIL**  
N.T.S.