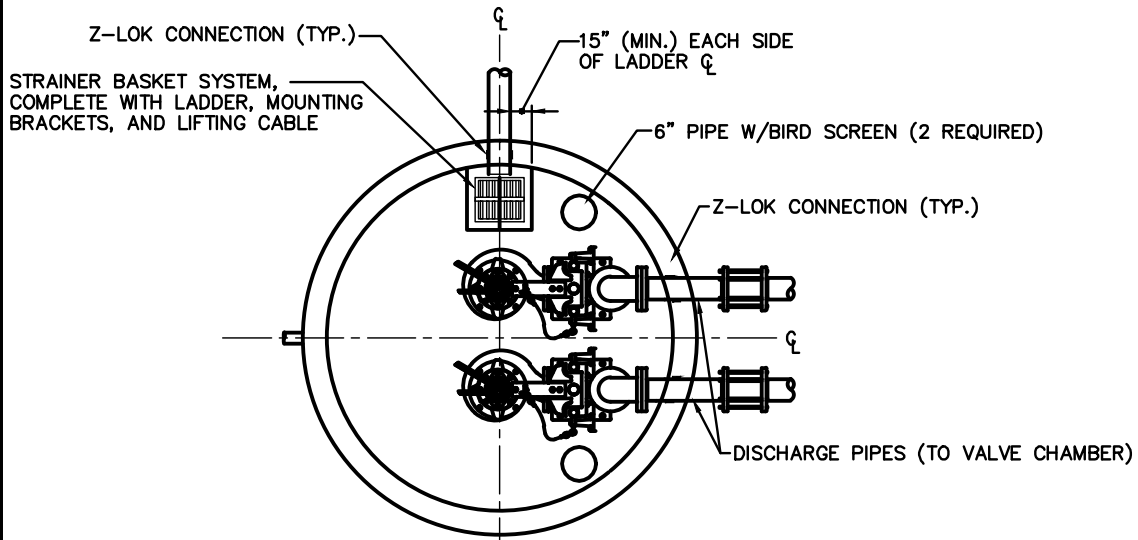


MANTUA TOWNSHIP MUNICIPAL UTILITIES AUTHORITY

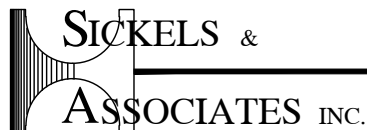


NOTES:

1. SUBMERSIBLE PUMPS AND MOTORS SHALL BE EXPLOSION PROOF & INDICATED WITH AN "X" LABEL AND COMPLETELY SUITABLE AT ALL TIMES.
2. THE LEAD PUMP SELECTION SHALL ALTERNATE WITH EACH PUMPING CYCLE SO AS TO ENSURE EVEN PUMP WEAR.
3. THE PUMP CONTROL SYSTEM SHALL BE OF THE BUBBLER TYPE INCORPORATING A LIQUID LEVEL INDICATOR / CONTROLLER WITH THE LEVEL SENSING AND SIGNAL CONTROL DEVICE.
4. TWO (2) AIR COMPRESSORS SHALL BE FURNISHED FOR AIR SUPPLY TO THE BUBBLER SYSTEM: ONE FOR NORMAL OPERATION AND ONE FOR STANDBY OPERATION.
5. ONE PUMP SHALL BE FITTED WITH A MIX-FLUSH VALVE, INSTALLED IN ACCORDANCE WITH THE MANUFACTURER'S SPECIFICATIONS.
6. THE TELEMETERING SYSTEM SHALL BE AS SPECIFIED BY THE AUTHORITY ENGINEER TO GIVE WARNING OF HIGH WATER, PUMP FAILURE, MECHANICAL FAILURE, LOW WATER LEVEL, ETC.
7. THE INFLUENT PIPE SHALL BE CEMENT LINED DUCTILE IRON PIPE FROM THE NEAREST STRUCTURE TO THE WET WELL TO AVOID DEFLECTION IN THE AREA OF THE WET WELL EXCAVATION.
8. ALL PIPE CONNECTIONS WITHIN THE WET WELL SHALL UTILIZE FLANGED FITTINGS.
9. BUOYANCY CALCULATIONS SHALL BE SUBMITTED TO ENSURE AGAINST WET WELL FLOTATION.
10. WET WELL SHALL HAVE AN INTERIOR PLASTIC LINER (PVC) INSTALLED DURING THE CASTING PROCESS.
11. ALL MOTORS SHALL BE THREE (3) PHASE.
12. AN AUXILIARY GENERATOR SHALL BE REQUIRED TO ALLOW CONTINUOUS FLOW OF WASTEWATER DURING TEMPORARY POWER OUTAGES. GENERATORS SHALL BE SOUND ATTENUATED HOUSED AND HEATED. CONTACT THE AUTHORITY ENGINEER FOR REQUIREMENTS AND DETAILS.
13. FORCE MAINS SHALL BE A MINIMUM OF 4" (INSIDE DIAMETER).

STANDARD PUMP STATION DETAIL AND NOTES

N.T.S.



SHERWOOD MEWS
833 KINGS HIGHWAY
WOODBURY, NEW JERSEY 08096-3110

856-848-6800
FAX 848-8520

MTMUA-:
02/0
11/0